

REPLACING THE INJECTOR UNIT

STEP
1

Turn OFF Water Main

Turn OFF the Water Main while a valve is open allowing the line to bleed. This will make it easier to remove the injector.

STEP
2

Remove Reservoir/Cap

Remove the Feeder Reservoir or any other accessories so that the injector is exposed (as shown in the image to the right).



STEP
3

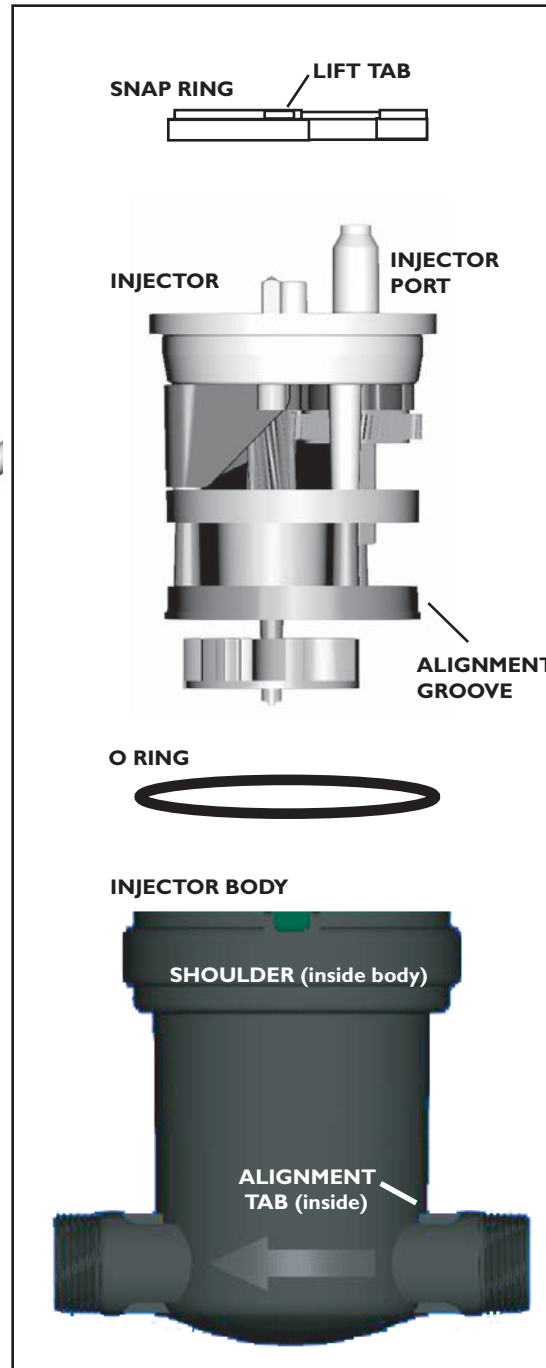
Remove Snap Ring

Press firmly down on the top of INJECTOR with your thumbs to relieve pressure on the SNAP RING. Insert a screw driver into the LIFT TAB and gently pull in and then up to remove the SNAP RING.

STEP
4

Remove old Injector

You may need to use a pair of pliers. Grab the INJECTOR PORT and gently pull up. The INJECTOR should then slide out easily.



STEP
5

Clean & Re-Insert "O" Ring

Clean the "O" RING with water. You should apply a small amount of plumbers grease before re-inserting to ensure a good seal. Set the "O" RING on the SHOULDER inside the injector body.

STEP
6

Insert the new injector.

Push the INJECTOR down until it stops. TURN the injector clockwise until the ALIGNMENT GROOVE & TAB meet allowing the injector to go deeper into the INJECTOR BODY. Firmly press the INJECTOR down with your thumbs to ensure a snug fit.

STEP
7

Replace the Snap Ring

Make sure that the LIFT TAB On the SNAP RING is facing up and that the SNAP RING fully "snaps" into position before restoring water pressure.

STEP
8

Turn ON Water Main

STAND AWAY FROM THE INJECTOR WHILE IT IS PRESSURIZING. Check for leaks around the SNAP RING and the INJECTOR PORT. Re-attach the reservoir and continue normal use.